

Product information presented here reflects conditions at time of publication. Consult factory regarding discrepancies or inconsistencies.

MAIL TO: P.O. BOX 16347 • Louisville, KY 40256-0347
SHIPTO: 3649 Cane Run Road • Louisville, KY 40211-1961
TEL: (502) 778-2731 • 1 (800) 928-PUMP • **FAX:** (502) 774-3624

Visit our web site:
zoellerpumps.com

REPLACEMENT PARTS LIST FOR MODELS:

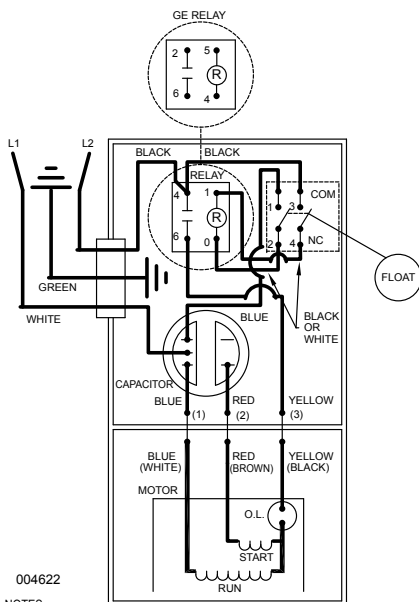
H186 AUTOMATIC 200V/1PH
I186 NONAUTOMATIC 200V/1PH
J186 NONAUTOMATIC 200V/3PH
F186 NONAUTOMATIC 230V/3PH
G186 NONAUTOMATIC 460V/3PH
BA186 NONAUTOMATIC 575V/3PH

Consult factory for all other models.

TO ORDER REPLACEMENT PARTS:

PLEASE FURNISH THE
FOLLOWING INFORMATION:

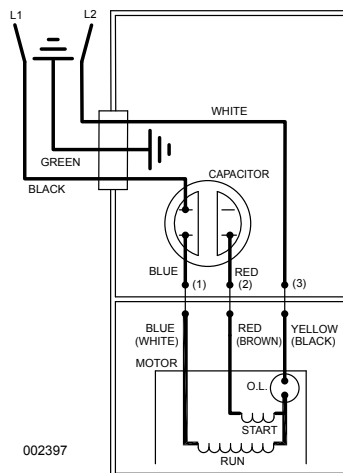
- Model number
- Part number of pump
- Part number and description of part



004622

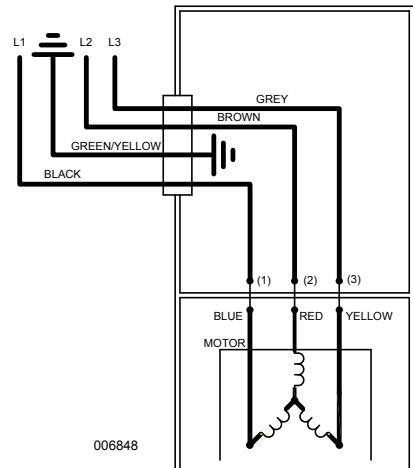
NOTES:
INSULATORS REQUIRED ON GE RELAY TERMINALS 2 & 5;
OMRON RELAY TERMINALS 1 & 4.

WIRING DIAGRAM FOR MODEL
"H186" All Revisions
7/89 thru Current



002397

WIRING DIAGRAM FOR MODEL
"I186" All Revisions
7/89 thru Current



006848

WIRING DIAGRAM FOR MODELS
"J186" All Revisions
"F186" All Revisions
"G186" All Revisions
"BA186" All Revisions

REPLACEMENT PARTS LIST FOR MODELS "H186"

See page 7 for "H186" illustration.

REF. NO.	DESCRIPTION	QTY	NOTES	MODELS: H186-A				
				H186-B	H186-C	H186-D	H186-E	
				7/89 thru 1/91	2/91 thru 4/03	5/03 thru 5/08	6/08 thru 1/16	2/16 thru Current
1	Case Switch & Cord	1	2,3	004748	005125	014156	014156	014156
2	• Handle	1		217069	217069	217069	217069	217069
3	Cord Term & Seal	1	3	002429	005125	014172	014172	014172
4	Clamp, Strain Relief	1	3	001770	NA	013764	013764	013764
5	• Seal, Cord-Asm & Str Rlf	1	3	094032	004375	015634	015634	015634
6	Case-Mach	1	3	004614	004633	014154	014154	014154
7	• Guard	1		001023	001023	001023	001023	001023
8	• Arm & Seal Asm	1	2	004745	004745	004745	004745	004745
9	• Gasket, Case/Cover	1		001011	001011	001011	001011	001011
10	Switch Asm	1	2	004744	004744	004744	004744	004744
11	• Wire Pkg (5) Wires	1		004751	004751	004751	004751	004751
12	Capacitor & Clamp Asm	1		006135	006135	006135	006135	006135
13	Relay	1		297005	217093	217093	217093	153833
14	Float, Plastic	1		094039	094039	094039	094039	094039
15	Guide Asm, Flt Rod	1		001072	001072	001072	001072	001072
16	Rod Asm, Flt	1		003083	003083	003083	003083	003083
17	Housing, Mtr & Str	1	1,6	005204	005204	005204	019234	019234
18	Bearing, Sleeve	1		001012	001012	001012	NA	NA
	Bearing, Upper			NA	NA	NA	006703	006703
19	• Plug, Test-White	2		034090	034090	034090	034090	034090
20	• Seal, Thru Wall Term	3		003402	003402	003402	003402	003402
21	Rotor & Brg	1	6	005205	005205	005205	019225	019225
22	• Bearing, Radial	1		001013	001013	001013	010069	010069
23	• Seal, Mtr Hsg	1		001014	001014	001014	001014	001014
24	• Oil, Dielectric	1		003168	003168	003168	011066	011066
25	Adapter-Mach	1		001003	001003	001003	001003	001003
26	• Seal, Shaft	1		002430	002430	002430	002430	002430
27	Flange Pkg 2" Npt	1		217024	217024	10-1305	10-1305	10-1305
	Flange Pkg 3" Npt	1		317024	317024	10-1306	10-1306	10-1306
28	Impeller "186"	1		004207	004207	004207	004207	004207
29	Housing, Pump-Mach	1		004214	004214	004214	004214	004214
30	Strainer Plate	1		137008	137008	137008	137008	137008
31	• Screw, .25-20 X .75 HHm-SS	4		001916	001916	001916	001916	001916
32	• Screw, .313-18 X 1"HH Cap-SS	4		002608	002608	002608	002608	002608
33	• Screw, #10-24 X.375 RHM-SI SS	2		001883	001883	001883	001883	001883
34	• Screw, #6-32x.438 Rhs/tp Stlzi	2		004644	004644	004644	004644	004644
35	• Sem, 10-24x.375HH-SI Tc.688 Wash	2		002000	002000	002000	002000	002000
36	• Washer, SS-1.25"Odx.562"ldx.078	2		002115	002115	002115	002115	002115
37	• Screw, .5-13 X 2 HH Cap-SS	2		001909	001909	001909	001909	001909
38	• Screw, #6-32x.25RHM SI Tc Stlgr	5		001877	001877	001877	001877	001877
39	• Screw, .25-20 X 1" HHM-SS	4		007790	007790	007790	007790	007790
□	Rebuild Kit			016103	016103	016103	019647	019647

• Items included in Rebuild Kit.

□ Not shown in illustration.

NOTES:

- 1) Mtr. Hsg., Brg., Stator & Term. (Item 17) is preassembled at the factory and must be replaced as a unit. Stator is permanently attached to the Motor Housing. Plug (Item 19); Seal Thru Wall Term. (Item 20) and Bearing - Upper (Item 18) are replaceable.
- 2) When ordering these parts, customer must identify if switch is a General Electric switch.
- 3) If an "X" follows Model No., or Date Mfg. on brass ID tag, consult factory for ordering of this part.
- 4) See FM0160 Parts Price Sheet for listing of parts prices.
- 5) "NA" indicates, not applicable.
- 6) When ordering these parts, customer must identify General Electric or Emerson motor.

REPLACEMENT PARTS LIST FOR MODELS "I186"

See page 7 for "I186" illustration.

REF. NO.	DESCRIPTION	QTY	NOTES	MODELS: I186-A			
				I186-B	I186-C	I186-D	
				7/89 thru 1/91	2/91 thru 4/03	5/03 thru 5/08	6/08 thru Current
1	• Handle	1		217069	217069	217069	217069
2	Cover & Cord	1	2	002401	004097	014159	014159
3	Cord Term & Seal	1	2	002402	004376	014173	014173
4	Clamp, Strain Relief	1	2	001770	NA	013764	013764
5	• Seal, Cord-Asm & Strain Relief	1	2	094032	004375	015634	015634
6	Cover-Mach	1	2	001077	004372	014150	014150
7	• Gasket, Case/Cover	1		001011	001011	001011	001011
8	• Wire Pkg (5) Wires	1		004751	004751	004751	004751
9	Capacitor & Clamp Asm	1		006135	006135	006135	006135
10	Housing, Mtr & Str	1	1,5	005204	005204	005204	019234
11	Bearing, Sleeve	1		001012	001012	001012	NA
	Bearing, Upper			NA	NA	NA	006703
12	• Plug, Test-White	2		034090	034090	034090	034090
13	• Seal, Thru Wall Term	3		003402	003402	003402	003402
14	Rotor & Brg	1	5	005205	005205	005205	019225
15	• Bearing, Radial	1		001013	001013	001013	010069
16	• Seal, Mtr Hsg	1		001014	001014	001014	001014
17	Oil, Dielectric	1		003168	003168	003168	011066
18	Adapter-Mach	1		001003	001003	001003	001003
19	• Seal, Shaft	1		002430	002430	002430	002430
20	Flange Pkg 2" Npt	1		217024	217024	10-1305	10-1305
	Flange Pkg 3" Npt	1		317024	317024	10-1306	10-1306
21	Impeller "186"	1		004207	004207	004207	004207
22	Housing, Pump-Mach	1		004214	004214	004214	004214
23	Strainer Plate	1		137008	137008	137008	137008
24	• Screw, .25-20 X .75 HHm-SS	4		001916	001916	001916	001916
25	• Screw, .313-18 X 1"HH Cap-SS	4		002608	002608	002608	002608
26	• Screw, #10-24 X.375 RHM-SI SS	2		001883	001883	001883	001883
27	• Sem,10-24x.375HH-SI Tc.688 Wash	2		002000	002000	002000	002000
28	• Screw, 5-13 X 2 HH Cap-SS	2		001909	001909	001909	001909
29	• Washer, SS-1.25"Odx.562"Idx.078	2		002115	002115	002115	002115
30	• Screw, #6-32x.25RHM SI Tc Stlgr	4		001877	001877	001877	001877
31	• Screw, .25-20 X 1" HHM-SS	4		007790	007790	007790	007790
□	Rebuild Kit			014193	014193	014193	019648

• Items included in Rebuild Kit.

□ Not shown in illustration.

NOTES:

- 1) Mtr. Hsg., Brg., Stator & Term. (Item 10) is preassembled at the factory and must be replaced as a unit. Stator is permanently attached to the Motor Housing. Plug (Item 12); Seal Thru Wall Term. (Item 13) and Bearing - Upper (Item 15) are replaceable.
- 2) If an "X" follows Model No., or Date Mfg. on brass ID tag, consult factory for ordering of this part.
- 3) See FM0160 Parts Price Sheet for listing of parts prices.
- 4) "NA" indicates, not applicable.
- 5) When ordering these parts, customer must identify General Electric or Emerson motor.

REPLACEMENT PARTS LIST FOR MODELS "J186"

See back page for "J186" illustration.

REF. NO.	DESCRIPTION	QTY	NOTES	MODELS:	
				J186-A	J186-B
1	• Handle	1		217069	217069
2	Cover & Cord	1	2	014161	014161
3	Cover-Mach	1	2	014150	014150
4	• Gasket, Case/Cover	1		001011	001011
5	Housing, Mtr & Str	1	1,5	005132	019235
6	Bearing, Sleeve	1		001012	NA
	Bearing, Upper			NA	006703
7	Clamp, Strain Relief	1	2	013764	013764
8	Cord, Term & Seal	1	2	014177	014177
9	• Seal, Cord-Asm & Str Rlf	1	2	015634	015634
10	• Plug, Test-White	2		034090	034090
11	• Seal Thru Wall Term	3		003402	003402
12	Rotor & Brg	1	5	004579	019226
13	• Bearing, Radial	1		001013	010069
14	• Seal, Mtr Hsg	1		001014	001014
15	• Oil, Dielectric	1		003168	011066
16	Adapter-Mach	1		001003	001003
17	• Seal, Shaft	1		002430	002430
18	Impeller Asm "186"	1		005201	005201
19	Flange Pkg 2" Npt	1		10-1305	10-1305
	Flange Pkg 3" Npt	1		10-1306	10-1306
20	Housing, Pump-Mach	1		004214	004214
21	• Screw, #6-32x.25RHM SI Tc Stlgr	1		001877	001877
22	• Screw, .25-20 X .75 HHm-SS	4		001916	001916
23	• Screw, .313-18 X 1"HH Cap-SS	4		002608	002608
24	• Screw, .5-13 X 2 HH Cap-SS	2		001909	001909
25	• Washer, SS-1.25"Odx.562"Idx.078	2		002115	002115
26	• Screw, #10-24 X.375 RHM-SI SS	1		001883	001883
27	Strainer Plate	1		137008	137008
28	• Sem,10-24x.375HH-SI Tc.688 Wash	2		002000	002000
29	• Screw, .25-20 X 1 HHm-SS	4		007790	007790
30	• Nut, 7/16-20 Acorn SS	1		004351	004351
□	Rebuild Kit			014193	019648

• Items included in Rebuild Kit.

□ Not shown in illustration.

NOTES:

- 1) Mtr. Hsg., Brg., Stator & Term. (Item 5) is preassembled at the factory and must be replaced as a unit. Stator is permanently attached to the Motor Housing. Plug (Item 10); Seal Thru Wall Term. (Item 11) and Bearing - Upper (Item 6) are replaceable.
- 2) If an "X" follows Model No., or Date Mfg. on ID tag, consult factory for ordering of this part.
- 3) See FM0160 Parts Price Sheet for listing of parts prices.
- 4) "NA" indicates, not applicable.
- 5) When ordering specify either GE or Emerson Motor.

REPLACEMENT PARTS LIST FOR MODELS "F186"

See back page for "F186" illustration.

REF. NO.	DESCRIPTION	MODELS:		F186-A	F186-B
		QTY	NOTES	7/89 thru 5/08	6/08 thru Current
1	• Handle	1		217069	217069
2	Cover & Cord	1	2	002963	002963
3	Cover-Mach	1	2	001077	001077
4	• Gasket, Case/Cover	1		001011	001011
5	Housing, Mtr & Str	1	1,5	005136	019236
6	Bearing, Sleeve	1		001012	NA
	Bearing, Upper			NA	006703
7	Clamp, Strain Relief	1	2	001770	001770
8	Cord, Term & Seal	1	2	005131	005131
9	• Seal, Cord-Asm & Str Rif	1	2	011656	011656
10	• Plug, Test-White	2		034090	034090
11	• Seal Thru Wall Term	3		003402	003402
12	Rotor & Brg	1	5	004579	019226
13	• Bearing, Radial	1		001013	010069
14	• Seal, Mtr Hsg	1		001014	001014
15	• Oil, Dielectric	1		003168	011066
16	Adapter-Mach	1		001003	001003
17	• Seal, Shaft	1		002430	002430
18	Impeller Asm "186"	1		005201	005201
19	Flange Pkg 2" Npt	1		10-1305	10-1305
	Flange Pkg 3" Npt	1		10-1306	10-1306
20	Housing, Pump-Mach	1		004214	004214
21	• Screw, #6-32x.25RHM SI Tc Stlgr	1		001877	001877
22	• Screw, .25-20 X .75 HHm-SS	4		001916	001916
23	• Screw, .313-18 X 1"HH Cap-SS	4		002608	002608
24	• Screw, .5-13 X 2 HH Cap-SS	2		001909	001909
25	• Washer, SS-1.25"Odx.562"Idx.078	2		002115	002115
26	• Screw, #10-24 X.375 RHM-SI SS	1		001883	001883
27	Strainer Plate	1		137008	137008
28	• Sem,10-24x.375HH-SI Tc.688 Wash	2		002000	002000
29	• Screw, .25-20 X 1 HHm-SS	4		007790	007790
30	• Nut, 7/16-20 Acorn SS	1		004351	004351
▣	Rebuild Kit			014193	019648

• Items included in Rebuild Kit.

▣ Not shown in illustration.

NOTES:

- 1) Mtr. Hsg., Brg., Stator & Term. (Item 5) is preassembled at the factory and must be replaced as a unit. Stator is permanently attached to the Motor Housing. Plug (Item 10); Seal, Thru Wall Term. (Item 11) and Bearing - Upper (Item 6) are replaceable.
- 2) If an "X" follows Model No., or Date Mfg. on ID tag, consult factory for ordering of this part.
- 3) See FM0160 Parts Price Sheet for listing of parts prices.
- 4) "NA" indicates, not applicable.
- 5) When ordering specify either GE or Emerson Motor.

REPLACEMENT PARTS LIST FOR MODELS "G186"

See back page for "G186" illustration.

REF. NO.	DESCRIPTION	MODELS:		G186-A	G186-B	BA186-A
		QTY	NOTES	7/89 thru 5/08	6/08 thru Current	
1	• Handle	1		217069	217069	217069
2	Cover & Cord	1	2	002963	002963	002963
3	Cover-Mach	1	2	001077	001077	001077
4	• Gasket, Case/Cover	1		001011	001011	001011
5	Housing, Mtr & Str	1	1,5	004578	019237	019238
6	Bearing, Sleeve	1		001012	NA	NA
	Bearing, Upper			NA	006703	006703
7	Clamp, Strain Relief	1	2	001770	001770	001770
8	Cord, Term & Seal	1	2	005131	005131	005131
9	• Seal, Cord-Asm & Str Rlf	1	2	011656	011656	011656
10	• Plug, Test-White	2		034090	034090	034090
11	• Seal Thru Wall Term	3		003402	003402	003402
12	Rotor & Brg	1	5	004579	019226	019226
13	• Bearing, Radial	1		001013	010069	010069
14	• Seal, Mtr Hsg	1		001014	001014	001014
15	• Oil, Dielectric	1		003168	011066	011066
16	Adapter-Mach	1		001003	001003	001003
17	• Seal, Shaft	1		002430	002430	002430
18	Impeller Asm "186"	1		005201	005201	005201
19	Flange Pkg 2" Npt	1		10-1305	10-1305	10-1305
	Flange Pkg 3" Npt	1		10-1306	10-1306	10-1306
20	Housing, Pump-Mach	1		004214	004214	004214
21	• Screw, #6-32x.25RHM SI Tc Stlgr	1		001877	001877	001877
22	• Screw, .25-20 X .75 HHm-SS	4		001916	001916	001916
23	• Screw, .313-18 X 1"HH Cap-SS	4		002608	002608	002608
24	• Screw, .5-13 X 2 HH Cap-SS	2		001909	001909	001909
25	• Washer, SS-1.25"Odx.562"Idx.078	2		002115	002115	002115
26	• Screw, #10-24 X.375 RHM-SI SS	1		001883	001883	001883
27	Strainer Plate	1		137008	137008	137008
28	• Sem,10-24x.375HH-SI Tc.688 Wash	2		002000	002000	002000
29	• Screw, .25-20 X 1 HHm-SS	4		007790	007790	007790
30	• Nut, 7/16-20 Acorn SS	1		004351	004351	004351
□	Rebuild Kit			014193	019648	019648

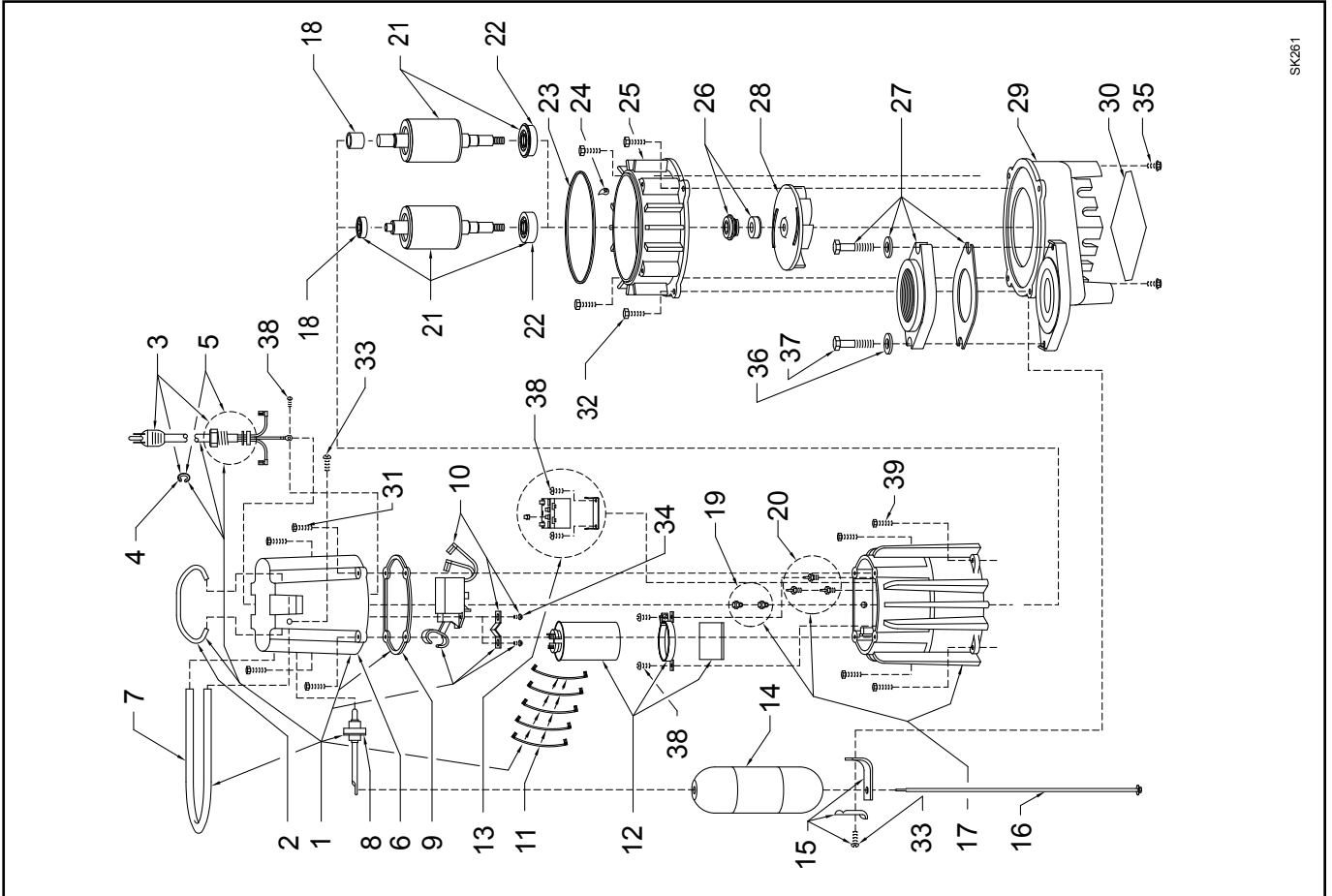
• Items included in Rebuild Kit.

□ Not shown in illustration.

NOTES:

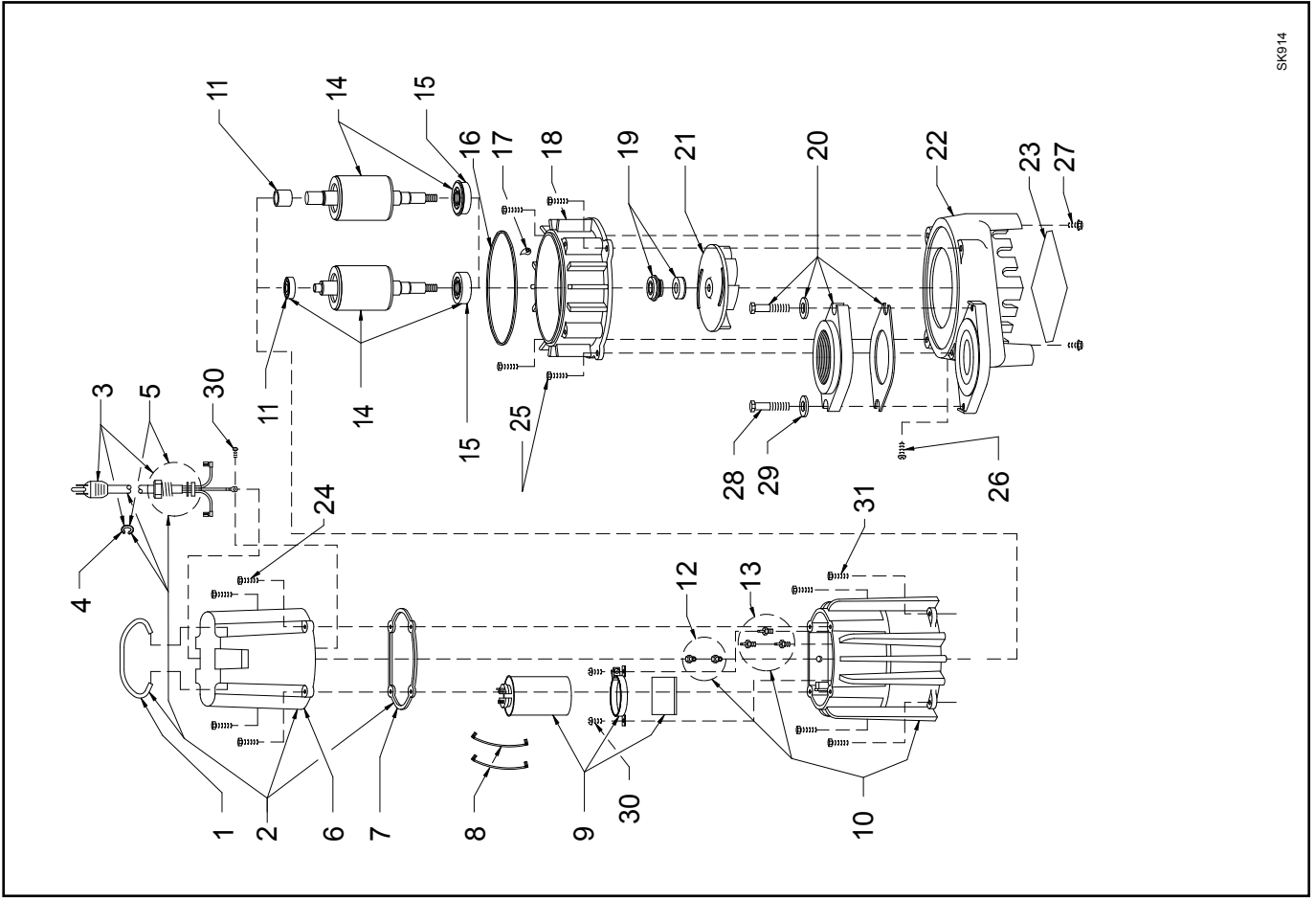
- 1) Mtr. Hsg., Brg., Stator & Term. (Item 5) is preassembled at the factory and must be replaced as a unit. Stator is permanently attached to the Motor Housing. Plug (Item 10); Seal, Thru Wall Term. (Item 11) and Bearing - Upper (Item 6) are replaceable.
- 2) If an "X" follows Model No., or Date Mfg. on ID tag, consult factory for ordering of this part.
- 3) See FM0160 Parts Price Sheet for listing of parts prices.
- 4) "NA" indicates, not applicable.
- 5) When ordering specify either GE or Emerson Motor.

REPLACEMENT PARTS ILLUSTRATION FOR MODEL "H186"



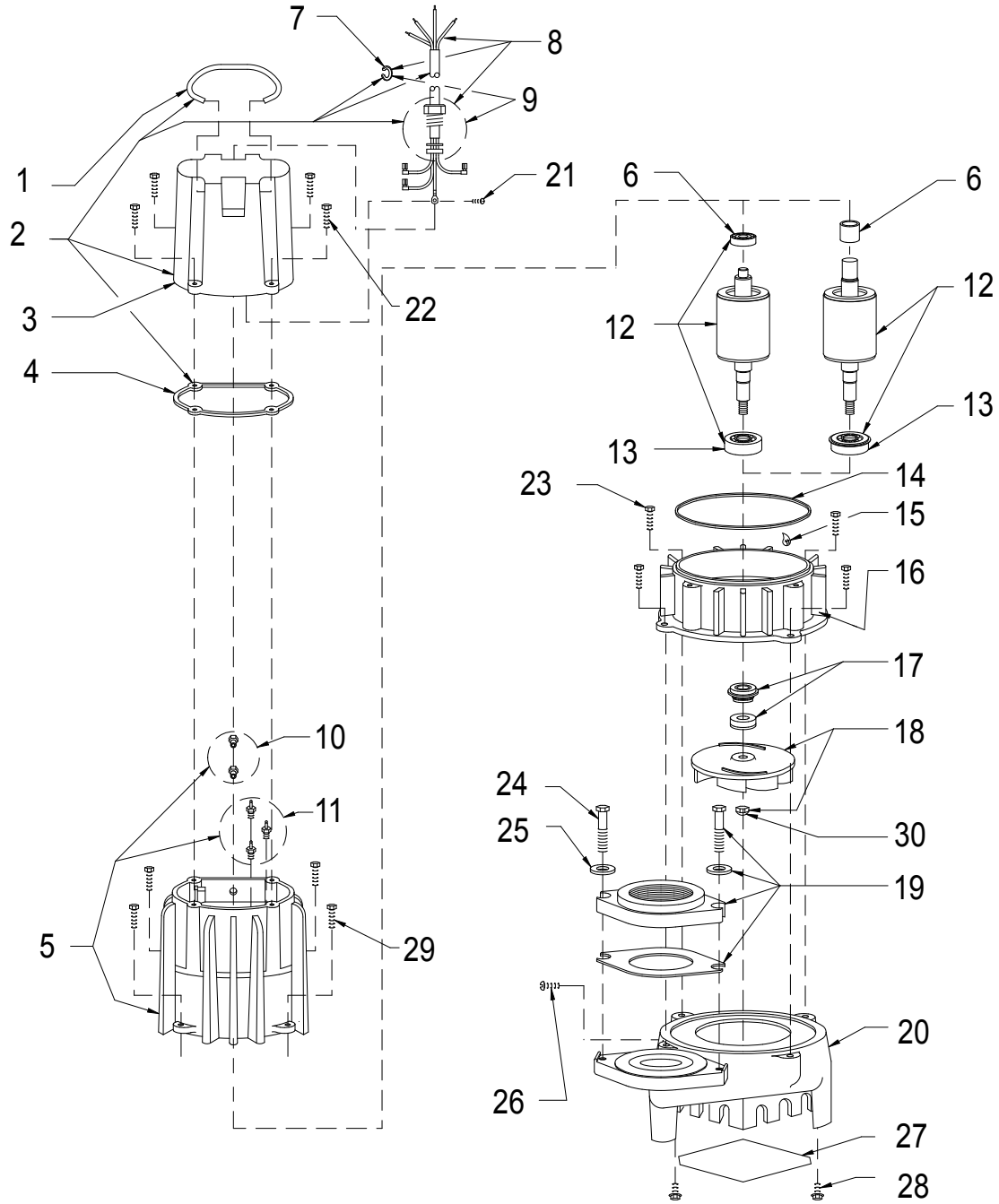
SK261

REPLACEMENT PARTS ILLUSTRATION FOR MODEL "I186"



SK914

REPLACEMENT PARTS ILLUSTRATION FOR MODELS "J", "F", "G" & "BA186"



SK1286



MAIL TO: P.O. BOX 16347 • Louisville, KY 40256-0347
SHIP TO: 3649 Cane Run Road • Louisville, KY 40211-1961
(502) 778-2731 • 1 (800) 928-PUMP • FAX (502) 774-3624

Visit our web site:
zoellerpumps.com

Trusted. Tested. Tough.™